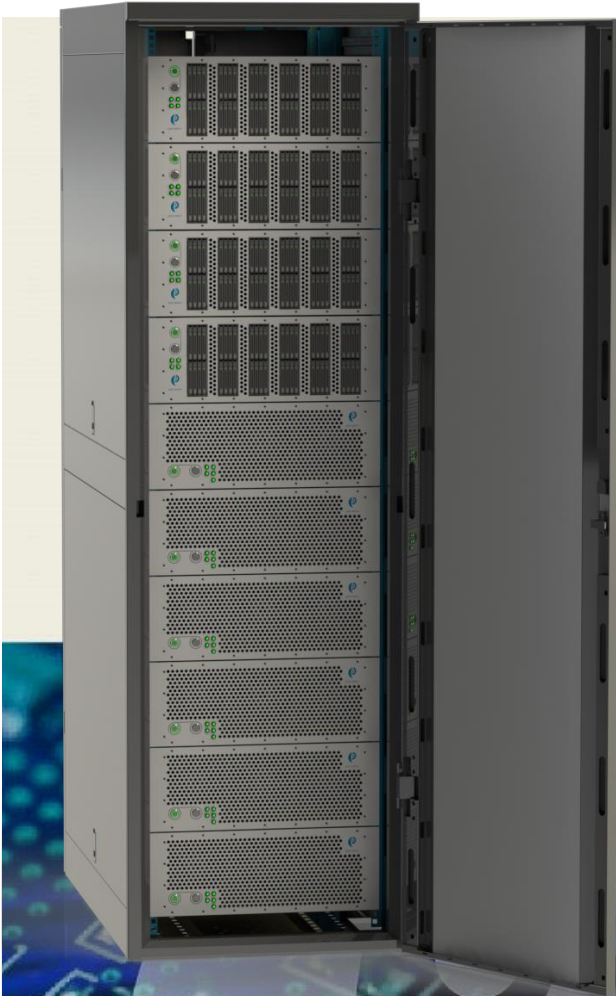




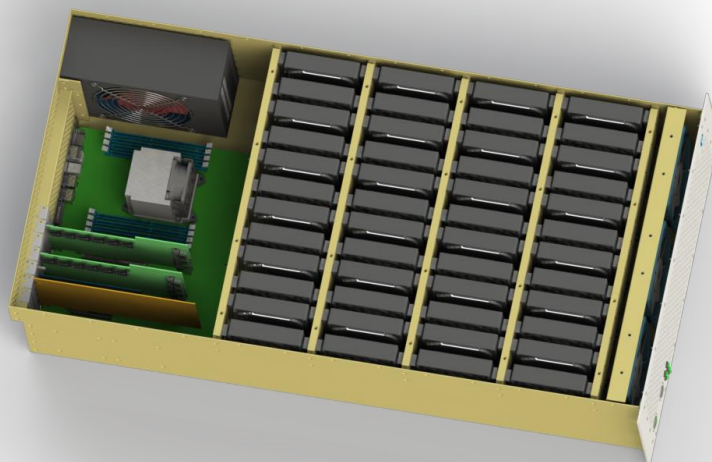
**peralex**  
the sense of signals



**SP4000**  
High bandwidth, Extreme  
Scale, Networked Storage



## Technical Description



### Product Description

The SP4000 range of high performance, network-centric HDD and SSD managed storage solutions provides unprecedented scalability and performance for high end data storage and buffering tasks.

The SP4000C is a compact 4U 19" rack-mountable 48-bay managed storage solution, with 2.5" hot-swap drive support. It is intended for high bandwidth networked storage or buffering applications. It supports a wide range of 2.5" SATA HDDs and SSDs. The primary data interface is 40 Gb Ethernet, with a total SSD storage capacity of up to 96 TB per unit. Up to 16 secondary SAS interfaces allow the unit to directly manage archival storage (e.g. tape drive arrays) or additional SAS JBODs.

The SP4000L is a 4U, 19" rack-mountable top-loading 45-bay managed storage solution. It is intended for high capacity storage clusters, where the primary driver of storage capacity-to-cost-ratio is realised through 3.5" HDDs. Data interfacing is achieved through 10 Gb Ethernet interfaces, with a total storage capacity of up to 360 TB per unit (using 8TB HDDs).

The SP4000 series is the ideal hardware platform on which to implement high performance/high redundancy RAID arrays, as well as scalable network-centric object stores (e.g. CEPH Object Store Daemons), for data-centric compute.

### Applications

- ❑ Record/replay sub-system for high bandwidth digital data streams (over IP/UDP).
- ❑ High bandwidth data buffer/controller for tape archives.
- ❑ Scalable managed storage solution for High Performance Computing (HPC) / Cloud Storage (CS).
- ❑ High performance, high capacity, network packet recording

### Features

- ❑ Extreme bandwidth
- ❑ Extreme scaling
- ❑ IPMI LAN management interface
- ❑ High storage-capacity-to-cost ratio
- ❑ Configurable as CEPH Object Store Daemon (OSD)

Block Diagrams

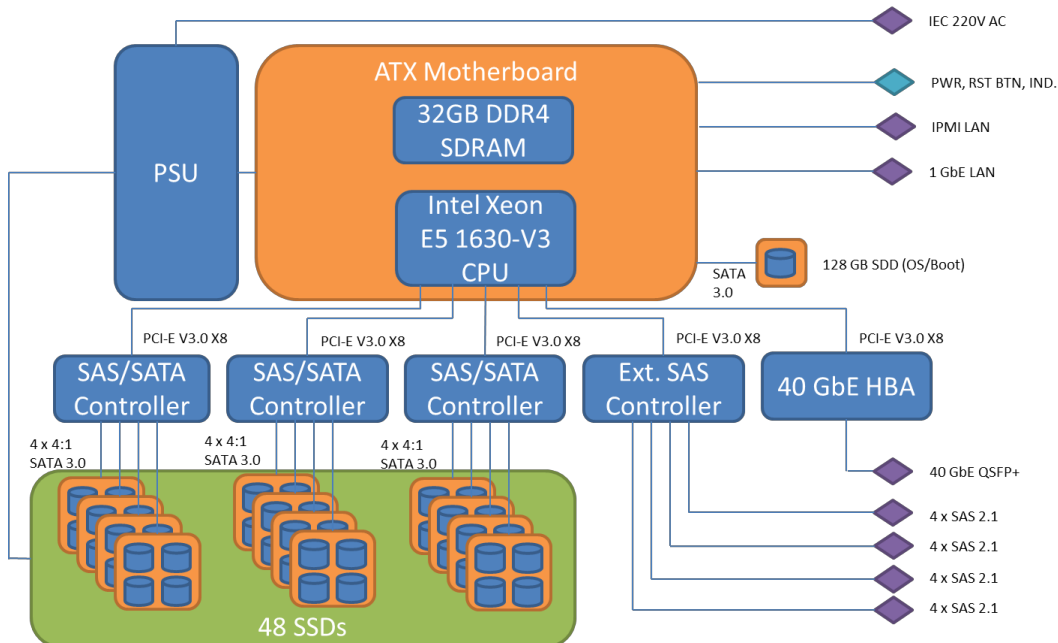


Figure 1: Functional block diagram of SP4000C

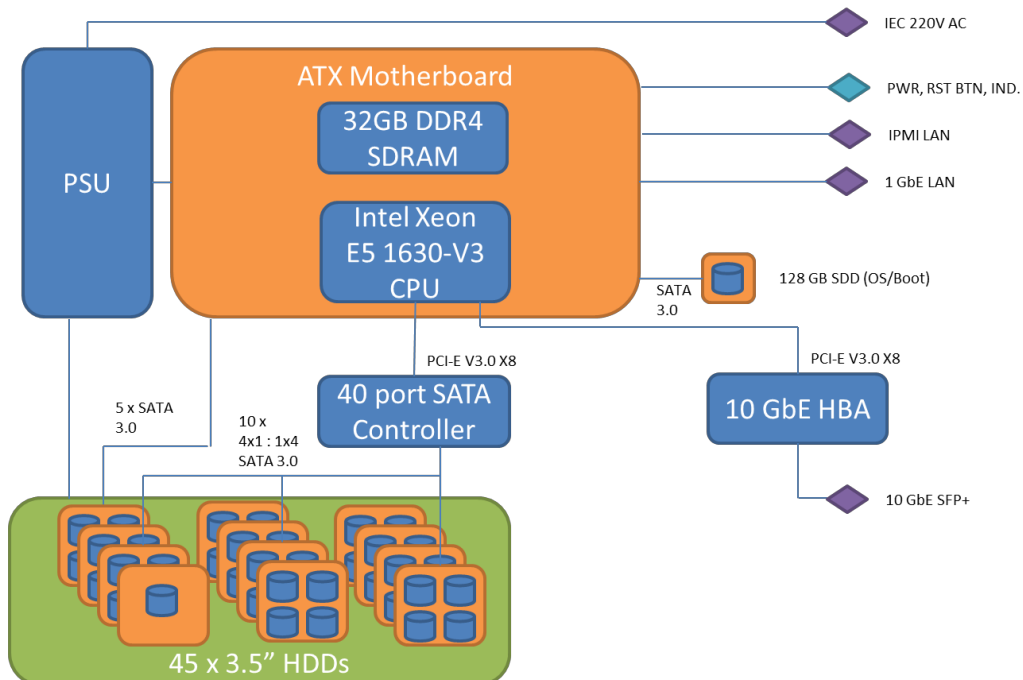


Figure 2: Functional block diagram of SP4000L

Product Specifications:	
Parameter	Specification
Input power	90-264V AC; 47-63 Hz
Operating temperature range	0°C to +40°C (Extended temperature ranges available on request)
Storage temperature range	-10°C to +55°C
Form Factor	4U 19" rack-mountable; 890 mm (SP4000L) / 560 mm (SP4000C) depth

storage pod spec-03.doc  
 This specification is subject to change without notice.

**AUTHORIZED USA  
 DISTRIBUTION BY:**

Cyntony Corporation  
 195 Follen Road  
 Lexington, Massachusetts  
 sales@cyntony.com  
 781-430-0675



[www.peralex.com](http://www.peralex.com)

tel: +27-21-710-7440 • email: sales@peralex.com  
 Peralex House, 5 Dreyersdal Road, Bergvliet 7945, Cape Town  
 PO Box 215, Bergvliet 7864, South Africa